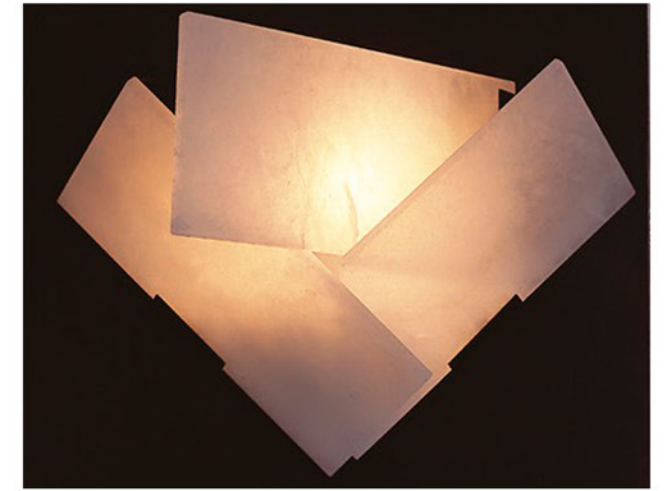
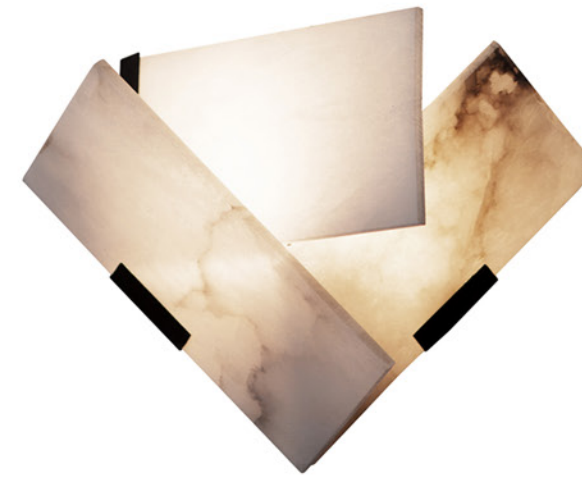




Galerie **MCDE**  
édition Pierre Chareau



## Applique Mouches

Fly wall lamp

Composed of three rectangular alabaster panels fastened to a painted black mount. Available on a black painted panel.

Technical informations :

### FLY 110A

L.26 x P.13 x H.21 cm

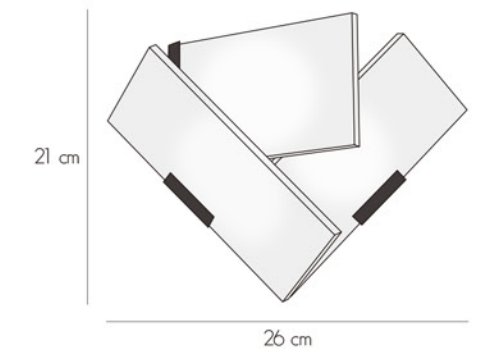
¥69,300+TAX

### FLY 110B

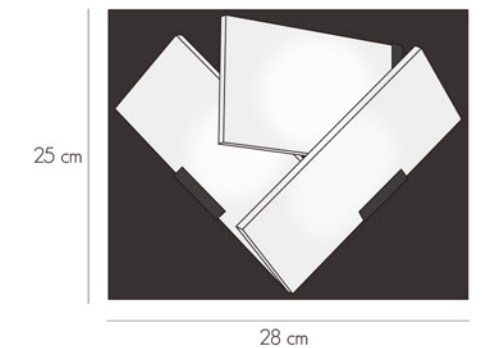
L.28 x P.14 x H.25 cm

¥92,400+TAX

Finish : black painted metal / alabaster with white and/or brown veins.  
Notes : hues and veining may vary.



FLY 110A



FLY 110B



### Applique double Mouche

Double Fly wall lamp

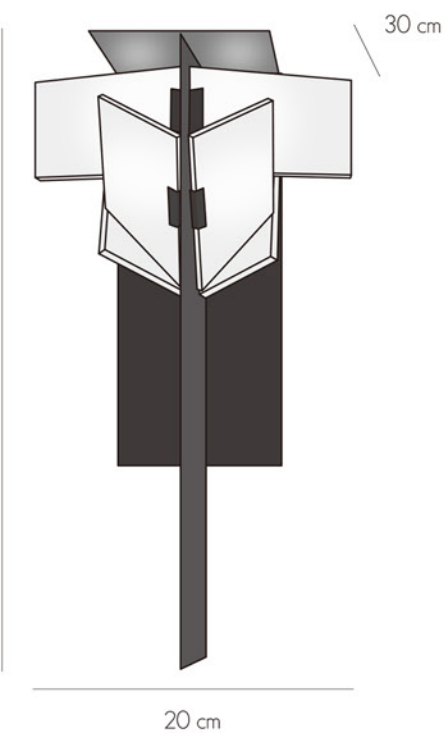
*Composed of six rectangular alabaster panels mounted back to back on a central metal leaf painted black.*

*Technical informations :*

**DFL 122**  
L.20 x P.30 x H.57 cm

**¥280,500+TAX**

*Finish : black painted metal / alabaster with white and/or brown veins.  
Notes : hues and veining may vary.*





## Applique Potence

Potence wall lamp

Composed of two panels of alabaster in quarter-wedges, that slide and pivot on a hammered and blackened metal bracket.

Technical informations :

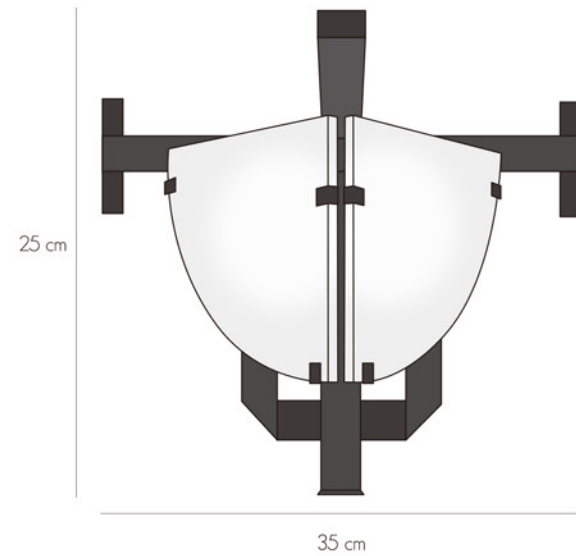
### POW 117

L35 x P.23 x H.25 cm

¥511,500+TAX

Finish : black hammered metal / alabaster with white and/or brown veins.

Notes : hues and veining may vary.



## Applique Quart de rond

Quart de rond wall lamp

Composed of two panels of alabaster in quarter-wedges mounted on a metal structure painted black.  
Exists in two sizes.

Technical informations :

### RQS 115A

L37 x P.25 x H.29 cm

¥198,000+TAX

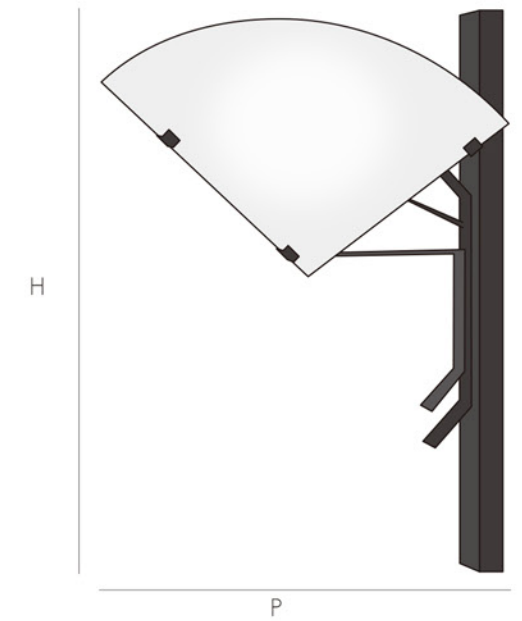
### RQS 115B

L50 x P.34 x H.39 cm

¥247,500+TAX

Finish : black painted metal / alabaster with white and/or brown veins.

Notes : hues and veining may vary.





### Applique Double Face

Double sided wall lamp

*Composed of two blocks of alabaster mounted back to back, on a metal panel and separated by a metal leaf. Painted black metal structure. Exists in blocks in widths of 145 and 185 mm.*

*Technical informations :*

#### **DMA 120A**

L.20 x P.17 x H.18 cm

**¥280,500+TAX**

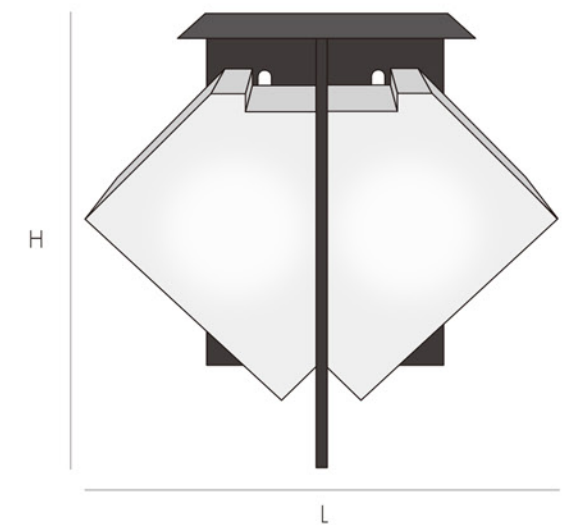
#### **DMA 120B**

L.26 x D.22 x H.23 cm

**¥297,000+TAX**

*Finish : black painted metal / alabaster with white and/or brown veins.*

*Notes : hues and veining may vary.*





## Applique Chinoise

Chinese wall lamp

*Composed of a fixed central alabaster panel and two side panels that pivot in each direction. Painted black metal structure.  
This wall mounting may be used as a lamp.*

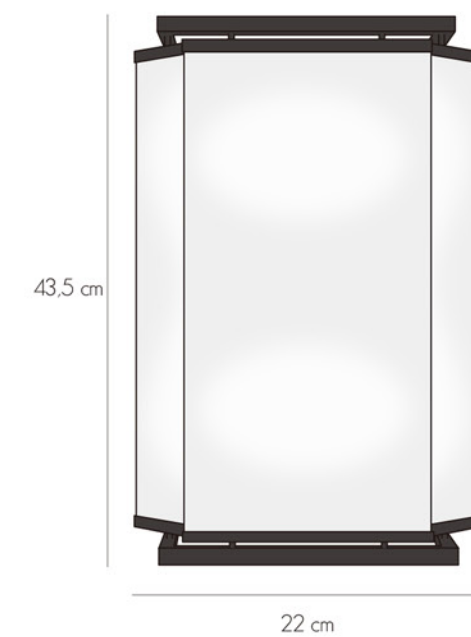
*Technical informations :*

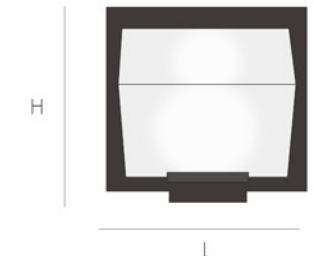
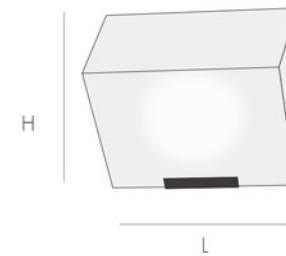
### CHE 110

L.22 x P.13 x H.43,5 cm

¥511,500+TAX

*Finish : black painted metal / alabaster with white and/or brown veins.  
Notes : hues and veining may vary.*





### Applique simple " bloc Auvent "

Simple " Sloping block " wall lamp

Composed of one block of alabaster fastened to a black / stainless steel mount. Exists in blocks in widths of 145, 185 and 230 mm and available in single, double or triple blocks.

Technical informations :

<b>SBA 108</b> " bloc Auvent " 145 mm / " Sloping block " 5,7 in L 14,5 x P. 10 x H. 13 cm	<b>¥99,000+TAX</b>
<b>SBA 112 (metal) / SBA 114B (inox poli/polished stainless)</b> " bloc Auvent " 185 mm / " Sloping block " 7,3 in L 18,5 x P. 11 x H. 15 cm	<b>¥115,500+TAX / ¥181,500+TAX</b>
<b>SBA 115</b> " bloc Auvent " 230 mm / " Sloping block " 9,1 in L 23 x P. 14 x H. 19 cm	<b>¥132,000+TAX</b>

### Applique simple " bloc Auvent " sur métal

Simple " Sloping block " wall lamp on metal frame

Composed of one block of alabaster fastened to a black / stainless steel mount against a painted black / stainless steel metal panel. Exists in blocks in widths of 145, 185 and 230 mm and available in single, double or triple blocks.

Technical informations :

<b>SBA 118</b> " bloc Auvent " 145 mm / " Sloping block " 5,7 in L 22,5 x P. 11 x H. 22 cm	<b>¥123,750+TAX</b>
<b>SBA 114A (metal) / SBA 114C (inox poli/polished stainless)</b> " bloc Auvent " 185 mm / " Sloping block " 7,3 in L 22,5 x P. 12 x H. 21,5 cm	<b>¥140,250+TAX / ¥255,750+TAX</b>
<b>SBA 115A</b> " bloc Auvent " 230 mm / " Sloping block " 9,1 in L 29 x P. 15,5 x L 27 cm	<b>¥156,750+TAX</b>

Finish : black painted metal or stainless steel / alabaster with white and/or brown veins.

Notes : hues and veining may vary.



### Applique double " bloc Auvent "

Double " Sloping block " wall lamp

Composed of two blocks of alabaster fastened to a black / stainless steel mount. Exists in blocks in widths of 145, 185 and 230 mm and available in single, double or triple blocks.

Technical informations :

#### DBA 109

" bloc Auvent " 145 mm / " Sloping block " 5,7 in  
L.14,5 x P.10 x H.27 cm

¥198,000+TAX

#### DBA 113 (metal) / DBA 114B (inox poli/polished stainless)

" bloc Auvent " 185 mm / " Sloping block " 7,3 in  
L.18,5 x P.11 x H.31 cm

¥222,750+TAX / ¥264,000+TAX

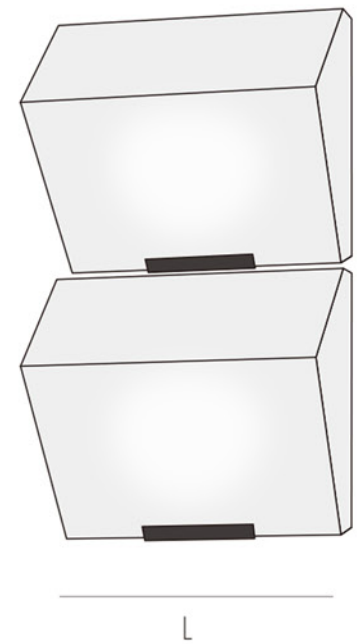
#### DBA 115

" bloc Auvent " 230 mm / " Sloping block " 9,1 in  
L.23 x P.14 x H.44 cm

¥255,750+TAX

Finish : black painted metal or stainless steel / alabaster with white and/ or brown veins.

Notes : hues and veining may vary.







### Applique triple " bloc Auvent " sur métal

Triple " Sloping block " wall lamp on metal frame

Composed of three blocks of alabaster fastened to a black / stainless steel mount against a painted black / stainless steel metal panel.  
Exists in blocks in widths of 145, 185 and 230 mm and available in single, double or triple blocks.

Technical informations :

#### TBA 111

" bloc Auvent " 145 mm / " Sloping block " 5,7 in  
L.18,5 x P.11 x H.48 cm

¥313,500+TAX

#### TBA 114A (metal) / TBA 114C (inox poli/polished stainless)

« bloc Auvent » 185 mm / « Sloping block » 7,3 in  
L.22,5 x P.12 x H.54 cm

¥379,500+TAX / ¥544,500+TAX

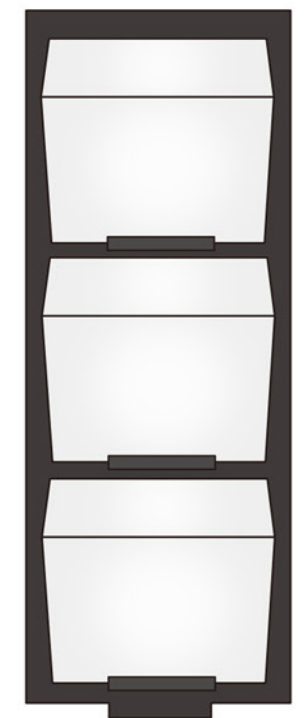
#### TBA 115A

" bloc Auvent " 230 mm / " Sloping block " 9,1 in  
L.29 x P.15,5 x H.77 cm

¥420,750+TAX

Finish : black painted metal or stainless steel / alabaster with white and/ or brown veins.

Notes : hues and veining may vary.



H

L



## Applique Masque

Mask wall lamp

Composed of two blocks of alabaster mounted side-by-side on a metal structure painted black and separated by a metal leaf. Painted black metal structure. Exists in blocks in widths of 145 and 185 mm.

Technical informations :

### SMA 119A

L.33 x P.11 x H.33 cm

¥321,750+TAX

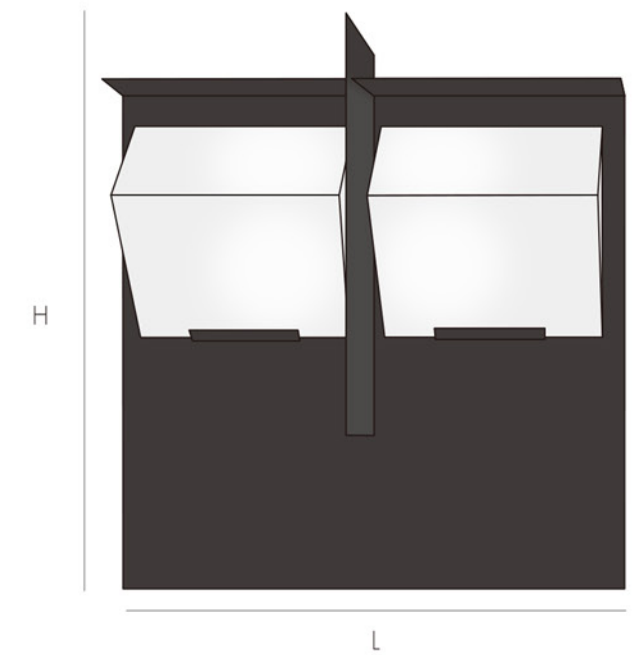
### SMA 119B

L.43 x P.13 x H.43 cm

¥338,250+TAX

Finish : black painted metal / alabaster with white and/or brown veins.

Notes : hues and veining may vary.





## Rampe lumineuse

Bright footlight

Composed of rectangular alabaster panels mounted side-by-side on a metal structure painted black or in stainless steel.  
Exists in three lengths, or may be made to order.

Technical informations :

### RMP 118A (metal) / RMP 119A (inox poli/polished stainless)

9 plaques d'albâtre / alabaster plates  
L. 68 x P. 19 x H. 20 cm

¥330,000+TAX

### RMP 118B (metal) / RMP 119B (inox poli/polished stainless)

13 plaques d'albâtre / alabaster plates  
L. 98 x P. 19 x H. 20 cm

¥412,500+TAX

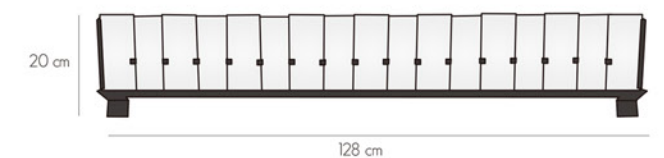
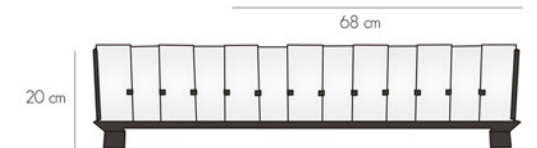
### RMP 118C (metal) / RMP 119C (inox poli/polished stainless)

17 plaques d'albâtre / alabaster plates  
L. 128 x P. 19 x H. 20 cm

¥495,000+TAX

Finish : black painted metal or stainless steel / alabaster with white and/or brown veins.

Notes : hues and veining may vary.





## Lampe Fleur

Flower lamp

Lampshade composed of six alabaster panels. Base in the form of a jar in oxidized and blackened or nickel plated metal.

Technical informations :

**FLE 130A**

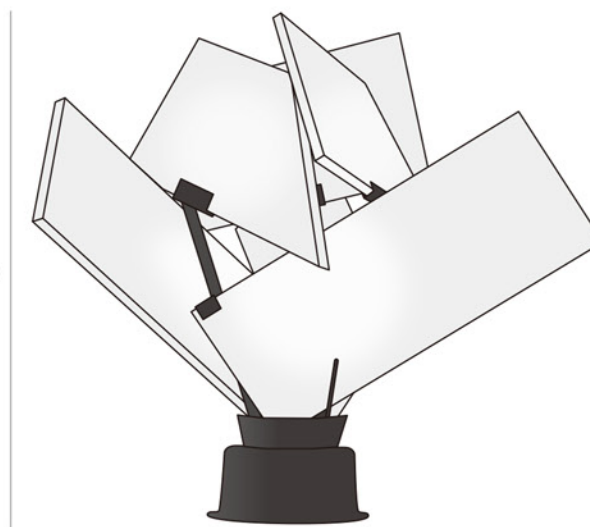
**¥297,000+TAX**

L.25 x P.25 x H.22 cm

Finish : oxydized / nickel plated metal alabaster with white and/or brown veins.

Notes : hues and veining may vary.

22 cm



25 cm



## Lampe Potence

Potence lamp

Composed of two panels of alabaster in quarter-wedges, sliding along a bracket that is adjustable to the left and right.  
Base in forged blackened metal.

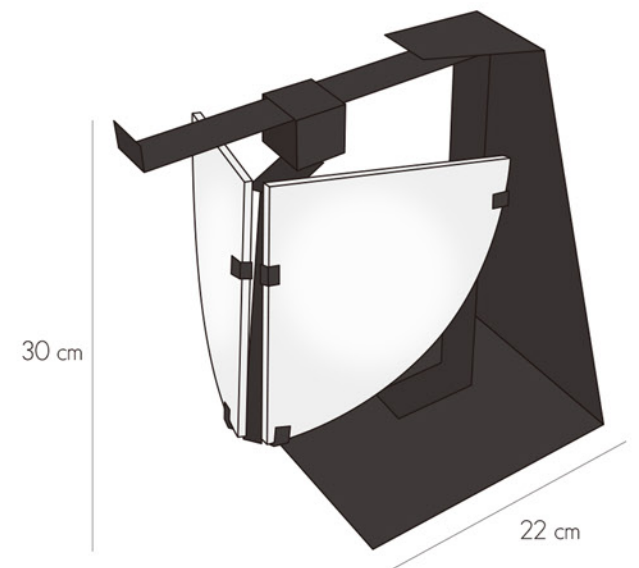
Technical informations :

**POT 131**

L.25 x P.22 x H.30 cm

**¥379,500+TAX**

Finish : darkened wrought iron / alabaster with white and/or brown veins.  
Notes : hues and veining may vary.





## Lampe Quart de rond

Quart de rond lamp

*Composed of two panels of alabaster in quarter-wedges adjustables.  
Base in forged blackened metal.*

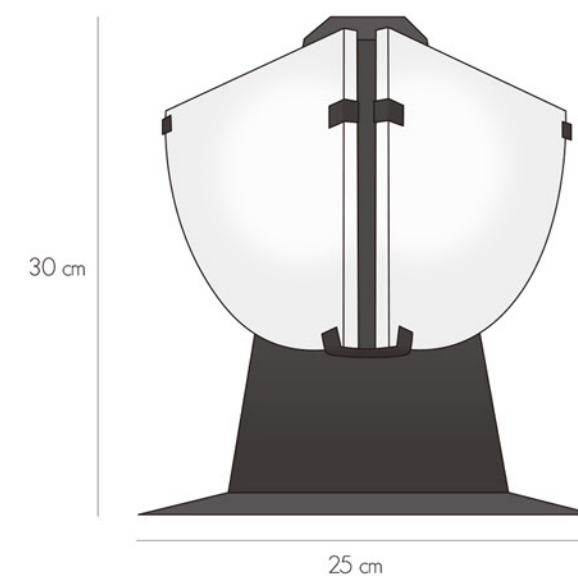
*Technical informations :*

**RQF 132**

**¥330,000+TAX**

L.25 x P.22 x H.30 cm

*Finish : darkened wrought iron / alabaster with white and/or brown veins.  
Notes : hues and veining may vary.*





## Lampe Religieuse

Nun lamp

Composed of four triangular alabaster panels. Bole in mahogany or mahogany tinted rosewood. Available in four sizes : 45, (17.7 in) 81 (31.9 in), 91 (35.8) or 186 (73.2 in) cm in height.

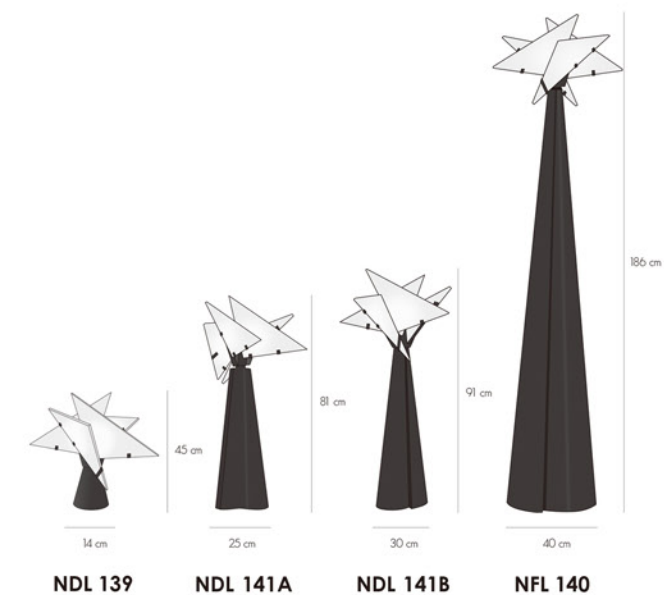
Technical informations :

**NDL 139** Lampe de chevet / Bedside lamp **¥396,000+TAX**  
 ø.14 x H.45 cm

**NDL 141A** Lampe de bureau simple face **¥717,750+TAX**  
 / Hollow sculpture work on one face  
 ø.25 x H.81 cm

**NDL 141B** Lampe de bureau double face **¥750,750+TAX**  
 / Sculpture work in fold on two surfaces  
 ø.30 x H.91 cm

**NFL 140** Lampe de parquet / Floor lamp **¥1,963,500+TAX**  
 ø.40 x H.186 cm



Finish : varnish with traditionnal plug finition (optional) / alabaster with white and/or brown veins.

Notes : hues and veining may vary.



## Suspension Boule

Boule ceiling lamp

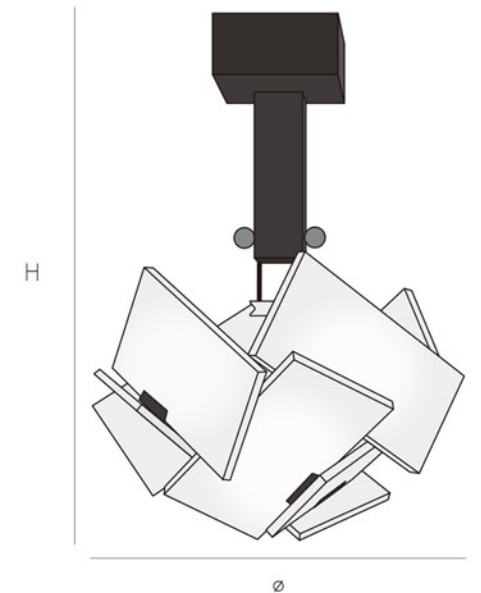
Composed of a square-cut metallic bracket to be attached to the ceiling, holding eight rectangular alabaster panels to form a lampshade, mounted on a netting of steel threads. Available in two sizes.

Technical informations :

**SUS 101A**      **¥379,500+TAX**  
ø.28 x H.42 cm

**SUS 101B**      **¥511,500+TAX**  
ø.42 x H.55 cm

Finish : black painted metal / alabaster with white and/or brown veins.  
Notes : hues and veining may vary.







## Suspension Quart de rond

Quart de rond ceiling lamp

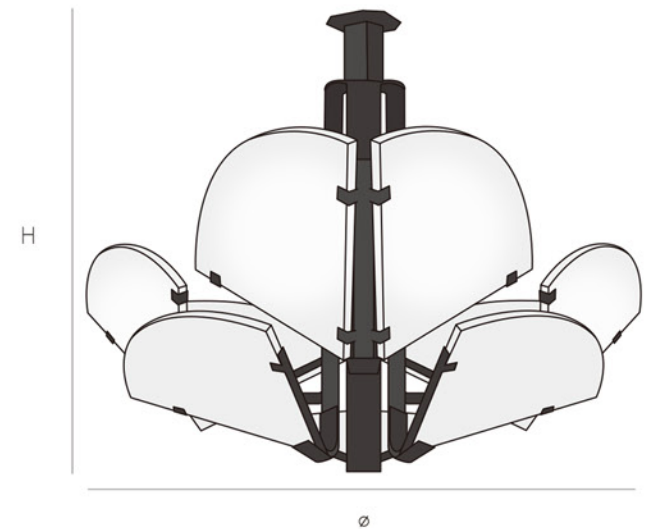
Composed of nine alabaster panels in quarter-wedges mounted in a petal arrangement around a black painted metallic structure with three bulbs. Available in two sizes.

Technical informations :

**SUS 102A**      ¥643,500+TAX  
ø.60 x H.45 cm

**SUS 102B**      ¥874,500+TAX  
ø.90 x H.75 cm

Finish : black painted metal / alabaster with white and/or brown veins.  
Notes : hues and veining may vary.



アイテムの詳細につきましては、下記店舗にお問い合わせください。  
For details on items, please contact the store below.

株式会社イニシャルジャパン  
[ de choix ]

ADDRESS

3F 7-11-4 Minami-aoyama Minato-ku Tokyo, Japan

TEL

+81 (0) 3 6886 8484

FAX

+81 (0) 3 6735 7398

MAIL

[design@archeologie.jp](mailto:design@archeologie.jp)