



MUSELLI OGGETTISTICA





# MUSELLI OGGETTISTICA

ALBERTO MUSELLI OGGETTISTICA HAS BEEN A PRESENCE ON THE EMILIAN MARKET AND IN MOST OF NORTHERN ITALY FOR OVER TWENTY YEARS. HE DEALS PRIMARILY IN THE SALE AND RESTORATION OF ANTIQUE IRON OBJECTS. HE CARRIES OBJECTS FOR THE INTERNAL AND EXTERNAL LIGHTING, HANGING LAMPS, LANTERNS, CHANDELIERS, INTERNAL AND EXTERNAL WALL LAMPS, FLOOR LAMPS, LAMPS FOR LOFTS, SPECIAL ORDER LAMPS, REMODELED MODULAR KITCHENS FOR GAS OR ELECTRIC STOVES, AND ANY OTHER SORT OF COLLECTIBLE ANTIQUE OBJECTS IN IRON. HE ALSO CARRIES FURNITURE MADE FROM REPURPOSED IRON. HE ATTENDS THE MOST IMPORTANT NATIONAL EVENTS FOR ANTIQUE DEALERS INCLUDING THE MERCANTEINFIERA "PRIMAVERA" AND "AUTUNNO" IN PARMA AND IL MERCATONE DEI NAVIGLI IN MILAN. ON THESE OCCASIONS, IN AN EXPOSITION OPEN TO THE PUBLIC, IT IS POSSIBLE TO ADMIRE ALL OF THE OBJECTS DISPLAYED ON THIS WEBSITE.



**INDUSTRIAL  
LIGHT  
FIXTURE  
WITH 5 GLASSES**



NUMBER : IT2289

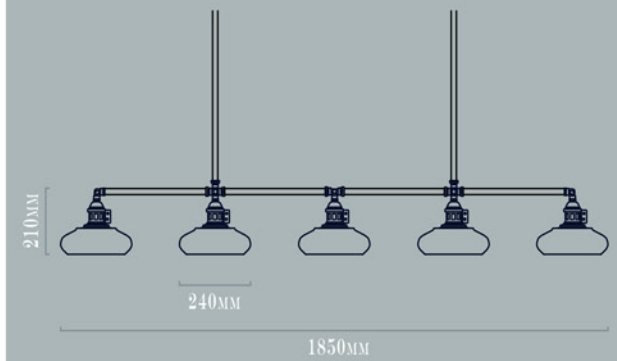
SIZE : W185 D24 H150CM / W72.8 D9.4 H59.1IN

MATERIAL : AGED BRASS , AGED IRON , HAND MADE GLASS

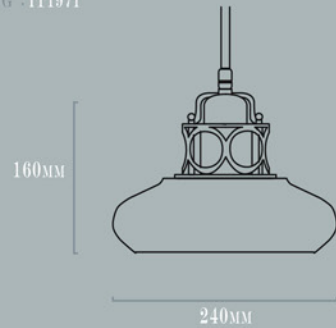
AGE : 1930s

PRODUCT DETAIL : MAXIMUM USE 100WATTS x 5

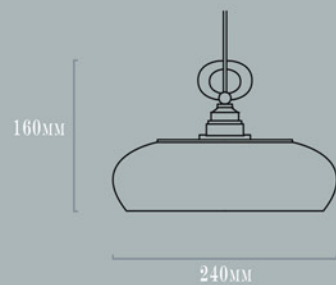
TECHNICAL DRAWING : IT2289



TECHNICAL DROWING : IT1971



TECHNICAL DROWING : IT1561



## PENDANT LAMP "GIOVANNI BRAMBILLA" WITH CLEAR SHADE



NUMBER : IT1971

SIZE : W24 D24 H16cm / W9.4 D9.4 H7.1in

MATERIAL : AGED STEEL , HAND MADE GLASS

AGE : 1940s

PRODUCT DETAIL : MAXIMUM USE 100WATTS

## INDUSTRIAL PENDANT LIGHT WITH HAND MADE GLASS



NUMBER : IT1561

SIZE : W24 D24 H16cm / W9.4 D9.4 H6.3in

MATERIAL : AGED BRASS , HAND MADE GLASS

AGE : 1930s

PRODUCT DETAIL : MAXIMUM USE 100WATTS

**SCONCE**  
**“GIOVANNI BRAMBILLA”**



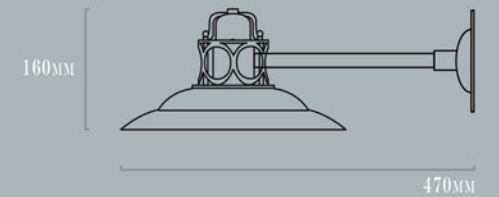
NUMBER : IT1980  
SIZE : W30 D47 H16cm / W11.8 D18.5 H6.3in  
MATERIAL : AGED STEEL , PORCELAIN  
AGE : 1940s  
PRODUCT DETAIL : MAXIMUM USE 100WATTS

**PENDANT LAMP**  
**“GIOVANNI BRAMBILLA”**  
**WITH PORCELAIN SHADE**

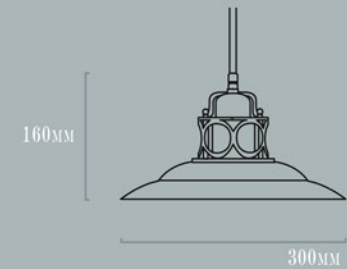


NUMBER : IT1972  
SIZE : W30 D30 H16cm / W11.8 D11.8 H6.3in  
MATERIAL : AGED STEEL , PORCELAIN  
AGE : 1940s  
PRODUCT DETAIL : MAXIMUM USE 100WATTS

TECHNICAL DRAWING : IT1980



TECHNICAL DRAWING : IT1972







**CONVERTED SPHERICAL  
BRASS LAMP  
WITH GLASS  
AND BRASS FLAME**



NUMBER : IT1683

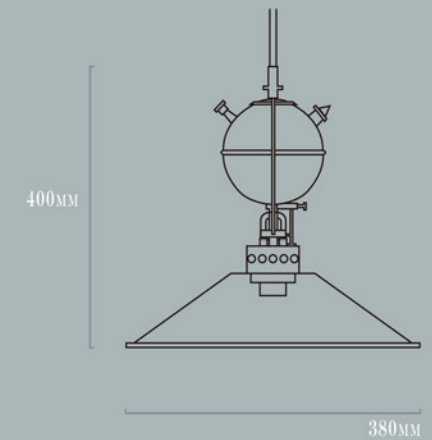
SIZE : W38 D38 H40cm / W15 D15 H15.7in

MATERIAL : AGED BRASS , GLASS

AGE : 1930s

PRODUCT DETAIL : MAXIMUM USE 100WATTS

TECHNICAL DRAWING : IT1683

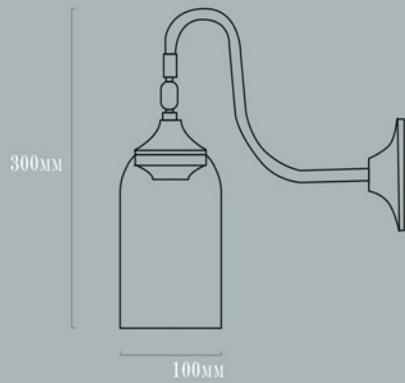


TECHNICAL DROWING : IT2014



**MODERN  
BRASS PENDANT  
WITH VERTICALLY  
LONG GLASS**

TECHNICAL DROWING : IT2032



**MODERN  
BRASS SCONCE  
WITH VERTICALLY  
LONG GLASS**



**NUMBER : IT2014**  
**SIZE : W10 D10 H20cm / W3.9 D3.9 H7.9in**  
**MATERIAL : AGED BRASS , HAND MADE GLAS**  
**AGE : 1960s**  
**PRODUCT DETAIL : MAXIMUM USE 60WATTS**



**NUMBER : IT2032**  
**SIZE : W10 D28 H30cm / W3.9 D11.0 H11.8in**  
**MATERIAL : AGED BRASS , HAND MADE GLAS**  
**AGE : 1960s**  
**PRODUCT DETAIL : MAXIMUM USE 60WATTS**

**MODERN  
BRASS PENDANT  
WITH VERTICALLY  
THIN OVAL GLASS**

TECHNICAL DROWING : IT2070



**NUMBER : IT2070**  
**SIZE : W17 D17 H40cm / W6.7 D6.7 H15.7in**  
**MATERIAL : AGED BRASS , HAND MADE GLAS**  
**AGE : 1960s**  
**PRODUCT DETAIL : MAXIMUM USE 60WATTS**

**MODERN  
BRASS PENDANT  
WITH VERTICALLY  
ROUND GLASS**



NUMBER : IT2101

SIZE : W20 D20 H40cm / W7.9 D7.9 H15.7in

MATERIAL : AGED BRASS , HAND MADE GLAS

AGE : 1960s

PRODUCT DETAIL : MAXIMUM USE 100WATTS

**MODERN  
BRASS PENDANT  
WITH VERTICALLY  
TRIANGULAR GLASS**



NUMBER : IT1891

SIZE : W15 D15 H40cm / W5.9 D5.9 H15.7in

MATERIAL : AGED BRASS , HAND MADE GLAS

AGE : 1960s

PRODUCT DETAIL : MAXIMUM USE 80WATTS

**MODERN  
BRASS PENDANT  
WITH VERTICALLY  
OVAL GLASS**



NUMBER : IT2071

SIZE : W20 D20 H22cm / W7.9 D7.9 H8.7in

MATERIAL : AGED BRASS , HAND MADE GLAS

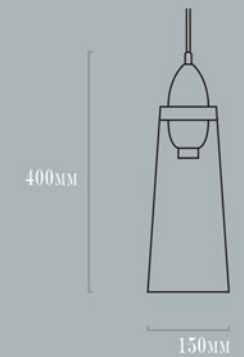
AGE : 1960s

PRODUCT DETAIL : MAXIMUM USE 80WATTS

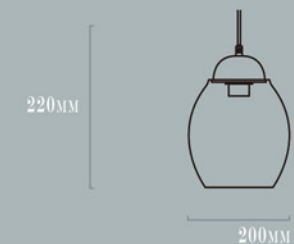
TECHNICAL DROWING : IT2101



TECHNICAL DROWING : IT1891



TECHNICAL DROWING : IT2071





**INDUSTRIAL  
SCONCE  
WITH PORCELAIN  
SHADE**



NUMBER : IT0681

SIZE : W18 D30 H22cm / W7.1 D11.8 H8.7IN

MATERIAL : AGED STEEL , AGED BRASS , PORCELAIN

AGE : 1930s

PRODUCT DETAIL : MAXIMUM USE 100WATTS

**INDUSTRIAL  
PORCELAIN  
LAMP**



NUMBER : IT0959

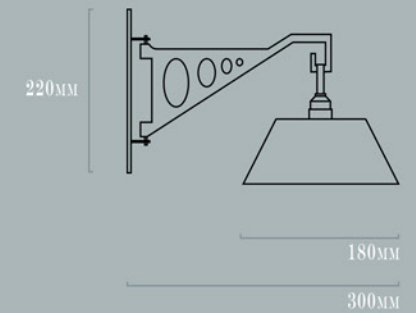
SIZE : W18 D18 H30cm / W7.1 D7.1 H11.8IN

MATERIAL : AGED STEEL , AGED BRASS , PORCELAIN

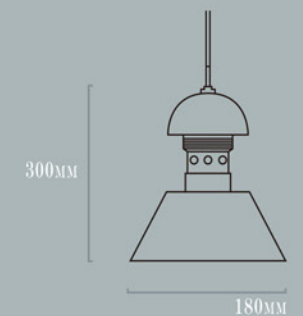
AGE : 1940s

PRODUCT DETAIL : MAXIMUM USE 100WATTS

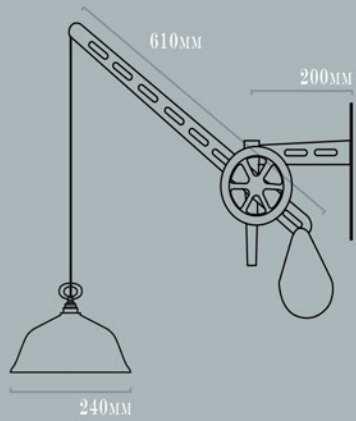
TECHNICAL DRAWING : IT0681



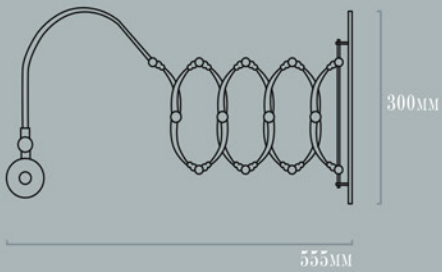
TECHNICAL DRAWING : IT0959



TECHNICAL DROWING : IT1647



TECHNICAL DROWING : IT1646



## ARCHITECTS ARM LAMP



NUMBER : IT1647

SIZE : W34 D50-70cm / W13.4 D19.7-27.6in

MATERIAL : AGED STEEL , AGED CAST IRON

AGE : 1940s

PRODUCT DETAIL : MAXIMUM USE 100WATTS

## SCISSOR LIBRARY LIGHT



NUMBER : IT1646

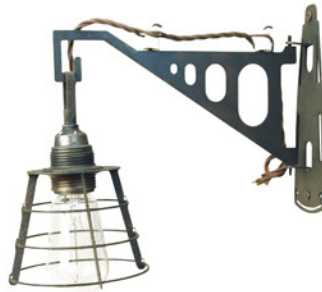
SIZE : W39 D37-H30-cm / W15.4 D14.6-H11.8-in

MATERIAL : AGED STEEL , AGED BRASS

AGE : 1940s

PRODUCT DETAIL : MAXIMUM USE 100WATTS

**INDUSTRIAL  
SCONCE  
WITH CAGE**



NUMBER : IT0680

SIZE : W13 D28 H22cm / W5.1 D11.0 H11.8in

MATERIAL : AGED STEEL , AGED BRASS

AGE : 1930s

PRODUCT DETAIL : MAXIMUM USE 100WATTS

**INDUSTRIAL  
SCONCE  
WITH METER  
AND CLEAR GLASS**



NUMBER : IT2176

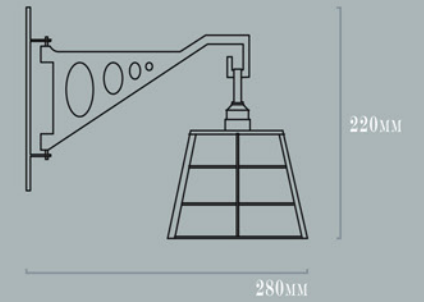
SIZE : W23 D33 H37cm / W9.1 D13.0 H14.6in

MATERIAL : AGED IRON,AGED BRASS, HAND MADE GLASS

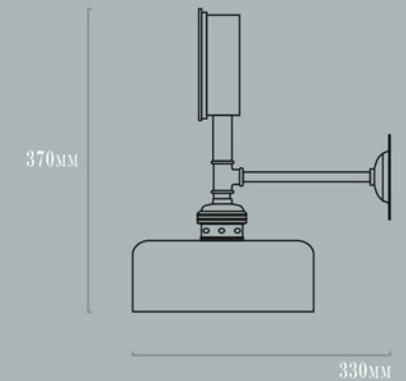
AGE : 1930s

PRODUCT DETAIL : MAXIMUM USE 100WATTS

TECHNICAL DROWING : IT0680



TECHNICAL DROWING : IT2176







**DOUBLE SCISSOR  
SCONCE  
WITH BLACK SHADE**



NUMBER : IT1083

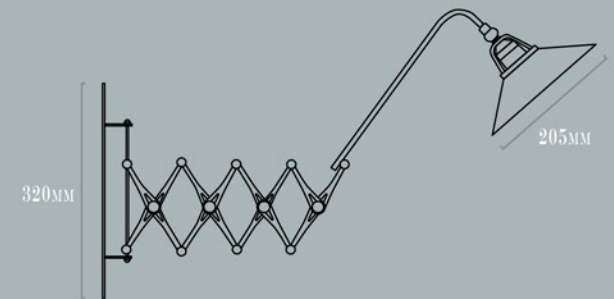
SIZE : W16- H32-CM / W6.3- H12.6-IN

MATERIAL : AGED STEEL

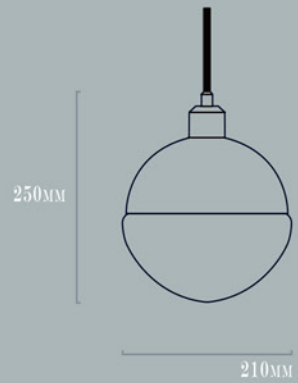
AGE : 1930s

PRODUCT DETAIL : MAXIMUM USE 100WATTS × 2

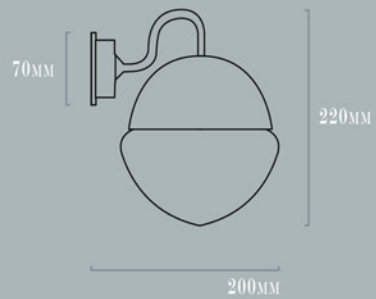
TECHNICAL DROWING : IT1083



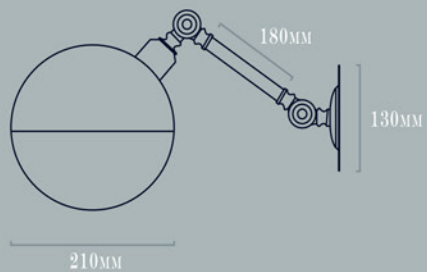
TECHNICAL DROWING : IT2184



TECHNICAL DROWING : IT2158



TECHNICAL DROWING : IT2160



## SPHERE BLACK PENDANT LAMP



NUMBER : IT2184

SIZE : W21 D21 H25cm / W8.3 D8.3 H9.8in

MATERIAL : AGED STEEL , HAND MADE GLASS

AGE : 1960s

PRODUCT DETAIL : MAXIMUM USE 100WATTS

## SPHERE BLACK SCONCE



NUMBER : IT2158

SIZE : W16 D20 H22cm / W6.3 D7.9 H8.7in

MATERIAL : AGED STEEL , HAND MADE GLASS

AGE : 1960s

PRODUCT DETAIL : MAXIMUM USE 100WATTS

## SPHERE BLACK SCONCE WITH BRASS ARM



NUMBER : IT2160

SIZE : W21 D44 H23cm / W8.3 D17.3 H9.1in

MATERIAL : AGED STEEL , HAND MADE GLASS

AGE : 1960s

PRODUCT DETAIL : MAXIMUM USE 100WATTS

**SPHERE BLACK  
PENDANT LAMP  
CLEAR**



NUMBER : IT1731

SIZE : W15 D15 H17cm / W5.9 D5.9 H6.7in

MATERIAL : AGED STEEL , HAND MADE GLASS

AGE : 1960s

PRODUCT DETAIL : MAXIMUM USE 100WATTS

**SPHERE BLACK  
SCONCE  
CLEAR**



NUMBER : IT1947

SIZE : W16 D20 H22cm / W6.3 D7.9 H8.7in

MATERIAL : AGED STEEL , HAND MADE GLASS

AGE : 1960s

PRODUCT DETAIL : MAXIMUM USE 100WATTS

**SPHERE BLACK  
SCONCE  
CLEAR  
WITH BRASS ARM**



NUMBER : IT1786

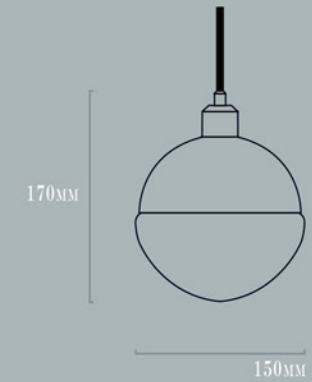
SIZE : W21 D44 H23cm / W8.3 D17.3 H9.1in

MATERIAL : AGED STEEL , HAND MADE GLASS

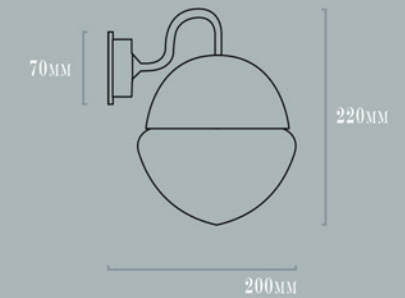
AGE : 1960s

PRODUCT DETAIL : MAXIMUM USE 100WATTS

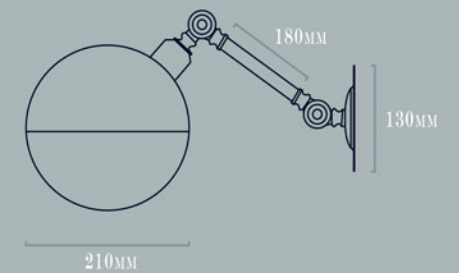
TECHNICAL DROWING : IT1731



TECHNICAL DROWING : IT1947



TECHNICAL DROWING : IT1786





**THREE STRANDED  
LIGHT FIXTURE  
“GIOVANNI BRAMBILLA”**



NUMBER : IT2122

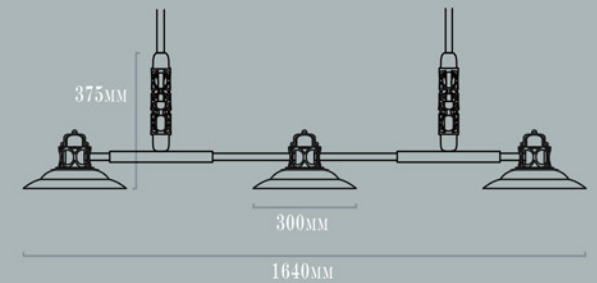
SIZE : W164 D30 H86cm / W64.6 D11.8 H33.9in

MATERIAL : AGED STEEL , PORCELAIN

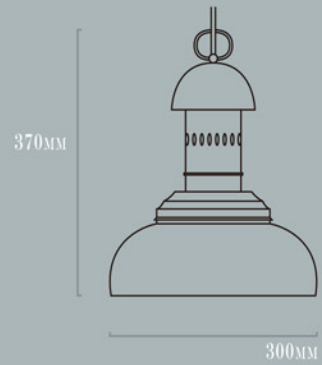
AGE : 1940s

PRODUCT DETAIL : MAXIMUM USE 100WATTS × 3

TECHNICAL DROWING : IT2122



TECHNICAL DRAWING : IT1075



## INDUSTRIAL LAMP "TORINO"



NUMBER : IT1075  
SIZE : W30 D30 H37CM / W11.8 D11.8 H14.6IN  
MATERIAL : AGED STEEL , AGED BRASS , PORCELAIN  
AGE : 1940s  
PRODUCT DETAIL : MAXIMUM USE 100WATTS

## INDUSTRIAL PORCELAIN LAMP



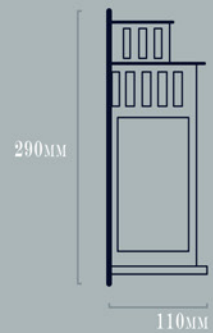
NUMBER : IT1814  
SIZE : W18 D11 H29CM / W7.1 D4.3 H11.4IN  
MATERIAL : AGED STEEL , GLASS  
AGE : 1930s  
PRODUCT DETAIL : MAXIMUM USE 60WATTS

## MODERN WHITE PENDANT WITH GLASS

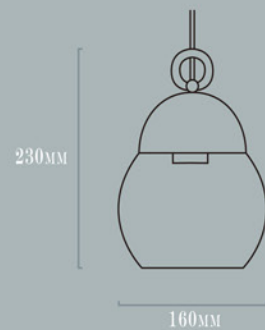


NUMBER : IT1818  
SIZE : W16 D16 H23CM / W6.3 D6.3 H9.1  
MATERIAL : PLASTICS , GLASS  
AGE : 1940s  
PRODUCT DETAIL : MAXIMUM USE 60WATTS

TECHNICAL DRAWING : IT1814



TECHNICAL DRAWING : IT681



**INDUSTRIAL LAMP  
WITH FROSTED GLASS**



NUMBER : IT1448

SIZE : W270 D270 H550MM / W10.6 D10.6 H21.7IN

MATERIAL : AGED BRASS , GLASS

AGE : 1930S

PRODUCT DETAIL : MAXIMUM USE 100WATTS

**INDUSTRIAL LAMP  
WITH CLEAR GLASS**



NUMBER : IT1346

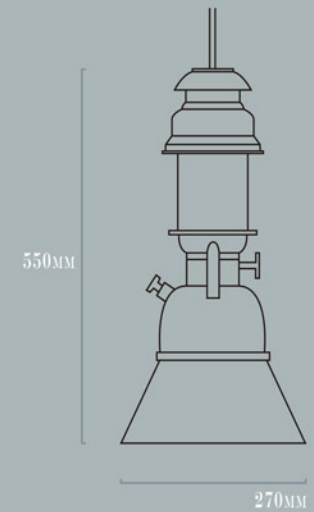
SIZE : W270 D270 H550MM / W10.6 D10.6 H21.7IN

MATERIAL : AGED BRASS , GLASS

AGE : 1930S

PRODUCT DETAIL : MAXIMUM USE 100WATTS

TECHNICAL DROWING : IT1448 / 1346







**BRASS  
HANGING LIGHT  
WITH 4 ARMS**



NUMBER : IT2290

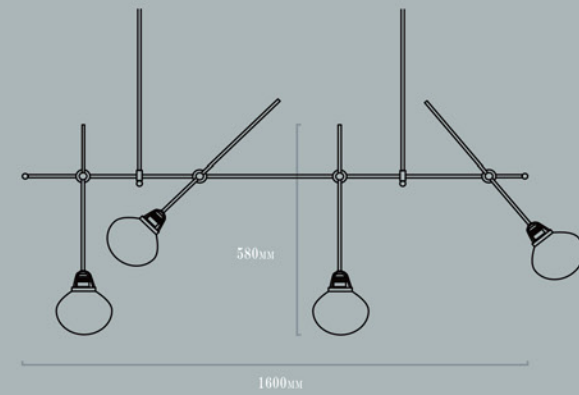
SIZE : W140 H120cm / W55.1 H47.2in

MATERIAL : AGED BRASS , AGED IRON

AGE : 1940s

PRODUCT DETAIL : MAXIMUM USE 100WATTS x 4

TECHNICAL DRAWING : IT2290



**SPECIAL ORDER**

S INCE WE ARE PRODUCING AND RESTORING ALL PRODUCTS BY HANDWORK BY MUSELLI OGGETTISTICA , WE ACCEPT THE CUSTOM ORDER BY WHICH THE MODIFICATION OF THE LENGTH OF THE CODE AND PARTS OF A SHADE. ALSO WE ARE ABLE TO CHANGE THE MOUNTING PARTS. F OR THE FULL CUSTOM ORDER, WE ARE ABLE TO DO THE DESIGN AND DRAWING ON YOUR REQUESTS. AND WE ARE ABLE TO RECEIVE THE CUSTOM ORDER BY YOUR DESIGN, TOO. P LEASE MAKE INQUIRIES USING THE REQUEST FORM.

アイテムの詳細に関しましては、下記店舗にお問い合わせください。  
For details on items, please contact the store below.

株式会社イニシャルジャパン  
[ Objet d' art ]

ADDRESS

4-64 Komatsugawa Edogawa-ku Tokyo, Japan

TEL

+81 (0) 3 6807 0554

FAX

+81 (0) 3 6735 7398

MAIL

objetdart@archeologie.jp